



## VSI NON-METALLIC PLUGS AND SWITCHED RECEPTACLES



Class I, Div. 2, Groups A, B, C, D  
 Class I, Zones 1 & 2, Groups IIC, IIB, IIA  
 AEx de IIC T6  
 Class II, Div. 1 & 2, Groups E, F, G  
 Class III  
 NEMA 3, 4, 4X, IP66



File 3014299



Certified - File LR240743

See files for details or call Killark

### FEATURES-SPECIFICATIONS



#### Applications

- For use in hazardous and corrosive environments such as refineries, chemical plants, water treatment and bio gas plants, and wherever a combustible gas-air mixture or combustible dust may occur

#### Features

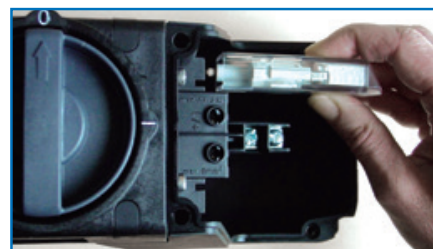
- Color coding and pin configuration makes it physically impossible to mate plugs and receptacles of different voltages and current ratings
- Interlocked switch mechanism prevents accidental removal of plug from receptacle under load
- Horsepower rated disconnect switch
- Dust caps\* included with 20A and 30A plugs as standard

- No seal required within Class I, Division 2 applications.
- Provision for up to two optional auxiliary contact blocks, useful for signaling circuits or starter coils.③
- Dimensional information – page PR28.

PARTS AND ACCESSORIES③	PART NUMBER
Auxiliary Contact Block NC, A600④	VSIAUXNC
Auxiliary Contact Block NO, A600④	VSIAUXNO

④ 10A rating for one auxiliary block; 5A if two are used. Position noted (NC or NO) is when main switch is off.

VSI SERIES PLUGS & SWITCHED RECEPTACLES					
DESCRIPTION		CATALOG NUMBER			
	AC VOLTAGE AND COLOR CODE	20 AMP①		30 AMP②	
		RECEPTACLE	PLUG	RECEPTACLE	PLUG
2 Pole 3 Wire	125 Yellow	VSI20R304	VSI20P304	—	—
	250 Blue	VSI20R306	VSI20P306	—	—
	480 Red	VSI20R307	VSI20P307	—	—
3 Pole 4 Wire	3 Ø 250 Blue	VSI20R409	VSI20P409	VSI30R409	VSI30P409
	3 Ø 480 Red	VSI20R407	VSI20P407	VSI30R407	VSI30P407
	3 Ø 600 Black	VSI20R405	VSI20P405	VSI30R405	VSI30P405
4 Pole 5 Wire	3 ØY 120/208 Blue	VSI20R509	VSI20P509	VSI30R509	VSI30P509
	3 ØY 277/480 Red	VSI20R507	VSI20P507	VSI30R507	VSI30P507
	3 ØY 347/600 Black	VSI20R505	VSI20P505	VSI30R505	VSI30P505



Snap into side(s) of terminal block

① VSI 20A devices are compatible with prior 16A models. However, the rating of the lower amperage will apply.

② VSI 30A devices are compatible with prior 32A models. Ratings of the lower amperage will apply.

\* Dust caps shall be installed on plugs with receptacle cover closed when the plug is not engaged in the receptacle.

TECHNICAL DATA				
RECEPTACLE		20 AMP		30 AMP
ENCLOSURE MATERIAL		Polyamide		
AMBIENT TEMPERATURE, T <sub>a</sub>		-30°C (-22°F) to +55°C (131°F)		
TERMINAL CAPACITY		2 wires, rated 75°C (Ta<45°C) or 90°C (Ta>45°C)		
		16-10 AWG		14-8 AWG
SWITCH RATING	(Horsepower)	1-phase	3-phase	3-phase
	120 VAC	1.5 HP	—	—
	240 VAC	3 HP	5 HP	10 HP
	480 VAC	5 HP	10 HP	20 HP
	600 VAC	—	15 HP	25 HP
LINE SUPPLY FUSE		CLASS J - size per NEC/CEC requirement, upstream ahead of unit		
BOTTOM ENTRY		3/4" NPT		1" NPT

TECHNICAL DATA		
PLUG	20 AMP	30 AMP
ENCLOSURE MATERIAL	POLYAMIDE	
TERMINAL CAPACITY	1 wire, rated 75°C (Ta<45°C) or 90°C (Ta>45°C)	
	16-10 AWG	14-8 AWG
CORD OUTER DIA.	0.3" - 0.8"	0.6" - 1.1"

# RECEPTACLES

VERSAMATE® SERIES



## VSI NON-METALLIC PLUGS AND SWITCHED RECEPTACLES



- Class I, Div. 2, Groups A, B, C, D
- Class I, Zones 1 & 2, Groups IIC, IIB, IIA  
AEx de IIC T6
- Class II, Div. 1 & 2, Groups E, F, G
- Class III
- NEMA 3, 4, 4X, IP66

FM APPROVED File 3014299

SP Certified - File LR240743

See files for details or call Killark

### FEATURES-SPECIFICATIONS



#### Applications

- For use in hazardous and corrosive environments such as refineries, chemical plants, water treatment and bio gas plants, and wherever a combustible gas-air mixture or combustible dust may occur

- When VSI Series is installed in Class II Div. 1 & 2 locations, dust caps for plugs are required. See ordering information below

#### Features

- Color coding and pin configuration makes it physically impossible to mate plugs and receptacles of different voltages and current ratings
- No seals required within Class I, Div. 2 applications

- Interlocked switch mechanism prevents accidental removal of plug from receptacle under load
- Horsepower rated disconnect switch includes 1 auxiliary contact (late make, early break) for signaling circuits.
- 63A, 125A models

#### Dimensional Information

- See page PR28

VSI SERIES PLUGS & SWITCHED RECEPTACLES					
DESCRIPTION		CATALOG NUMBER			
	AC VOLTAGE AND COLOR CODE	63 AMP		125 AMP	
		RECEPTACLE	PLUG	RECEPTACLE	PLUG
3 Pole 4 Wire	3 Ø 250 Blue	VSI63R409	VSI63P409	VSI125R409	VSI125P409
	3 Ø 480 Red	VSI63R407	VSI63P407	VSI125R407	VSI125P407
	3 Ø 600 Black	VSI63R405	VSI63P405	VSI125R405	VSI125P405
4 Pole 5 Wire	3 ØY 120/208 Blue	VSI63R509	VSI63P509	VSI125R509	VSI125P509
	3 ØY 277/480 Red	VSI63R507	VSI63P507	VSI125R507	VSI125P507
	3 ØY 347/600 Black	VSI63R505	VSI63P505	VSI125R505	VSI125P505

VSI non-metallic devices NOT intermateable with Versamate® NEC metallic series.

PLUG DUST CAP	
FOR PLUG TYPE	CATALOG NUMBER
VSI63P4__	VSI63801140
VSI63P5__	VSI63801140
VSI125P4__	VSI125801140
VSI125P5__	VSI125801140

Dust cap shall be installed on the plug when the plug is not engaged in the receptacle.

TECHNICAL DATA			
RECEPTACLE		63 AMP	125 AMP
ENCLOSURE MATERIAL		FIBER REINFORCED POLYESTER	
AMBIENT TEMPERATURE, T <sub>a</sub>		-20°C (-4°F) to +40°C (104°F)	
TERMINAL CAPACITY		2 wires, 90°C rated	
		6-1/0 AWG	1/0-3/0 AWG
SWITCH RATING	(Horsepower)	3-phase	3-phase
	120 VAC	10 HP	20 HP
	240 VAC	20 HP	40 HP
	480 VAC	40 HP	100 HP
	600 VAC	60 HP	125 HP
LINE SUPPLY FUSE		CLASS J - size per NEC/CEC requirement, upstream ahead of unit	
BOTTOM ENTRY		1-1/2" NPT	2" NPT

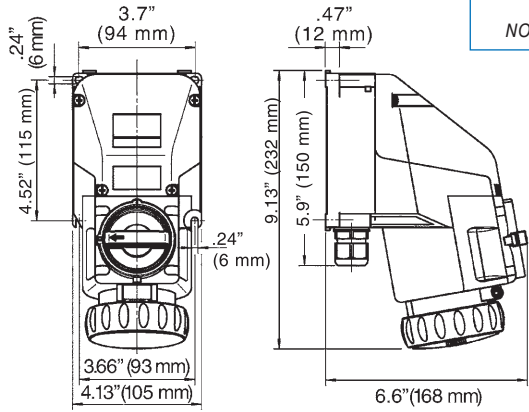
TECHNICAL DATA		
PLUG	63 AMP	125 AMP
ENCLOSURE MATERIAL	POLYAMIDE	
TERMINAL CAPACITY	1 wire, 90°C rated	
	10-4 AWG	6-1/0 AWG
CORD OUTER DIA.	0.94" - 1.4"	1.2" - 2"



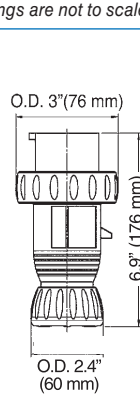
VSI NON-METALLIC PLUGS AND SWITCHED RECEPTACLES

**Dimensions**

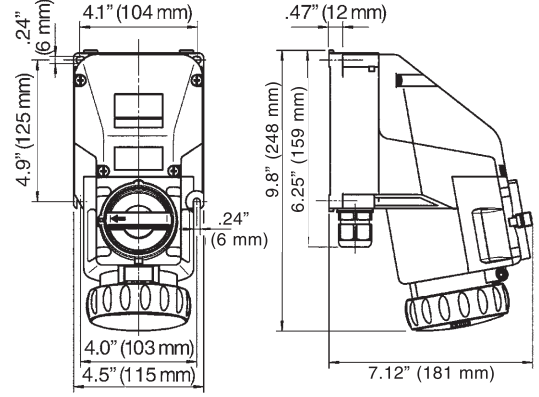
NOTE: Drawings are not to scale



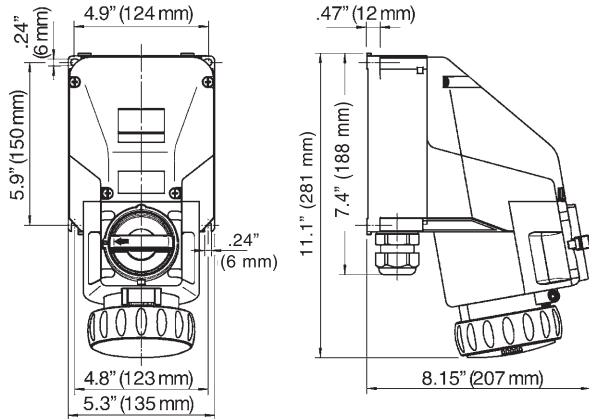
**RECEPTACLE 20A**  
2 POLE - 3 WIRE



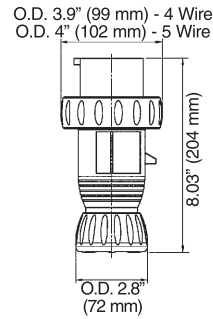
**PLUG 20A**



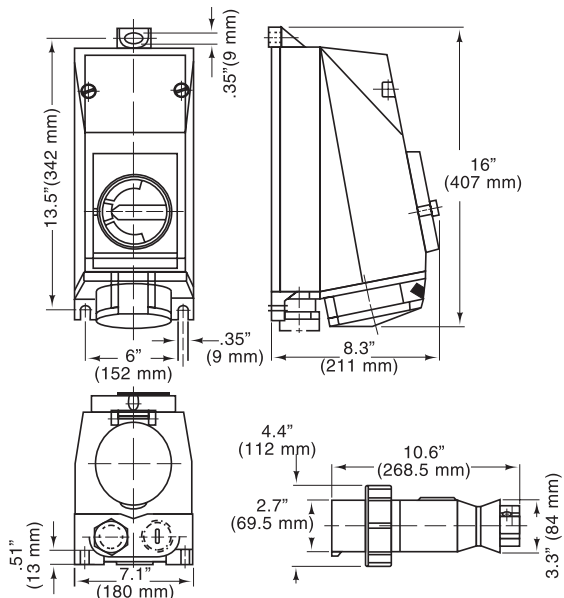
**RECEPTACLE 20A**  
3 POLE - 4 WIRE AND 4 - POLE 5 WIRE



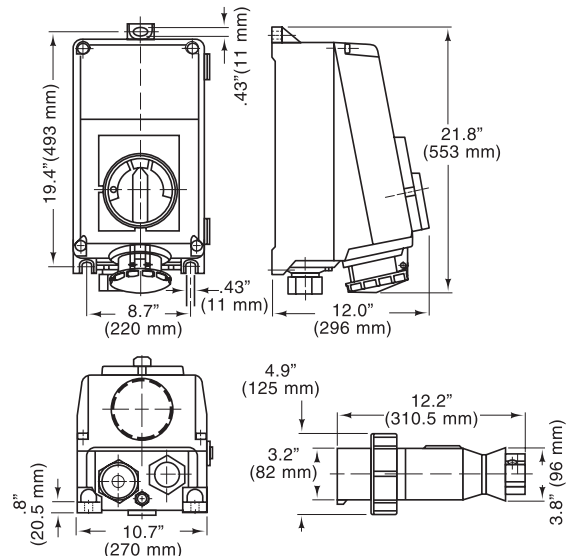
**RECEPTACLE 30A**  
3 POLE - 4 WIRE AND 4 POLE - 5 WIRE



**PLUG 30A**



**RECEPTACLE & PLUG 63A**  
3 POLE - 4 WIRE AND 4 POLE - 5 WIRE



**RECEPTACLE & PLUG 125A**  
3 POLE - 4 WIRE AND 4 POLE - 5 WIRE